



# DATA SHEET

2011-08-17

Page 1 / 3

DAB PUMPS S. p. A.  
Via Marco Polo, 14 - 35035 Mestrino (PD) - Italy  
Ph. +39 049 9048811 - Fax +39 049 9048847  
Http://www.dabpumps.com

**Receiver**

**From**

Societa  
Reference  
Address  
Telephone  
Fax  
E-mail

**Item no.** 103022014

**Pump data :**

Model :  
NOVA 300 M-A  
Pressure rating :  
Min. fluid temperature : 0 °C  
Max. fluid temperature : 35 °C  
Max. Temperature operating : 40 °C

**Requested data :**

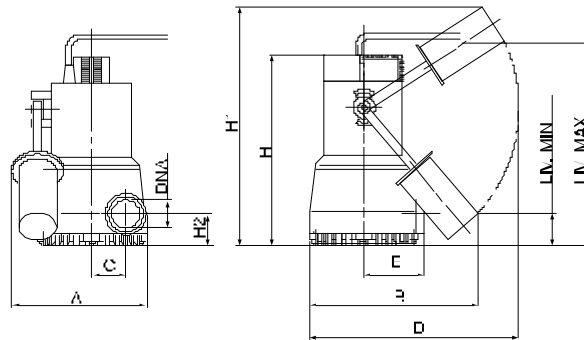
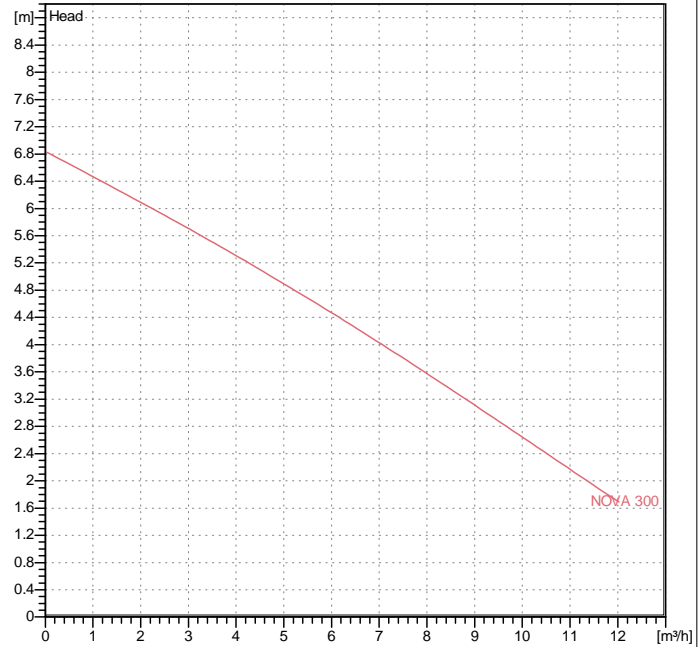
Flow 0 m<sup>3</sup>/h  
Flow 0 m  
Fluid : Water, pure  
Fluid Temperature : 20 °C  
Density : 0.9983 kg/dm<sup>3</sup>  
Kinematic viscosity 1.005 mm<sup>2</sup>/s  
Vapor pressure : 2.337 kPa

**Hydraulic data (duty point)**

Flow  
Flow

**Materials :**

Pump body Technopoly mer  
Impeller Technopoly mer  
OR ring Rubber NBR  
Motor top body AISI 304 X5 Cr Ni 1810 UNI 6900/71  
Rotor shaft AISI 416 X12 CrS 13 UNI 6900/71  
Seeger ring 12E - UNI 7435 STAINLESS  
Wearing disc (Only for NOVA) Technopoly mer



**Motor data :**

**Weight :** 4.6 kg

Trade mark : DAB  
Nominal power P2 : 0.22 kW  
Rated speed: 2850 1/min  
Rated voltage : 1~ 230 V 50 Hz  
Nominal current : 1.5 A  
Degree of protection : IP 68

**Dimension**

**mm**

Dimension	mm	Dimension	mm
A	181	H1	354
B	235	H2	47
C	46	LIV MAX	285
D	296	LIV MIN	85
DNM	1"1/4 G		
E	82		
H	262		

**Pump connection**

Suction side /  
Discharge side 1" 1/4 G/ --



# PERFORMANCE CURVES

DAB PUMPS S. p. A.  
Via Marco Polo, 14 - 35035 Mestrino (PD) - Italy  
Ph. +39 049 9048811 - Fax +39 049 9048847  
Http://www.dabpumps.com

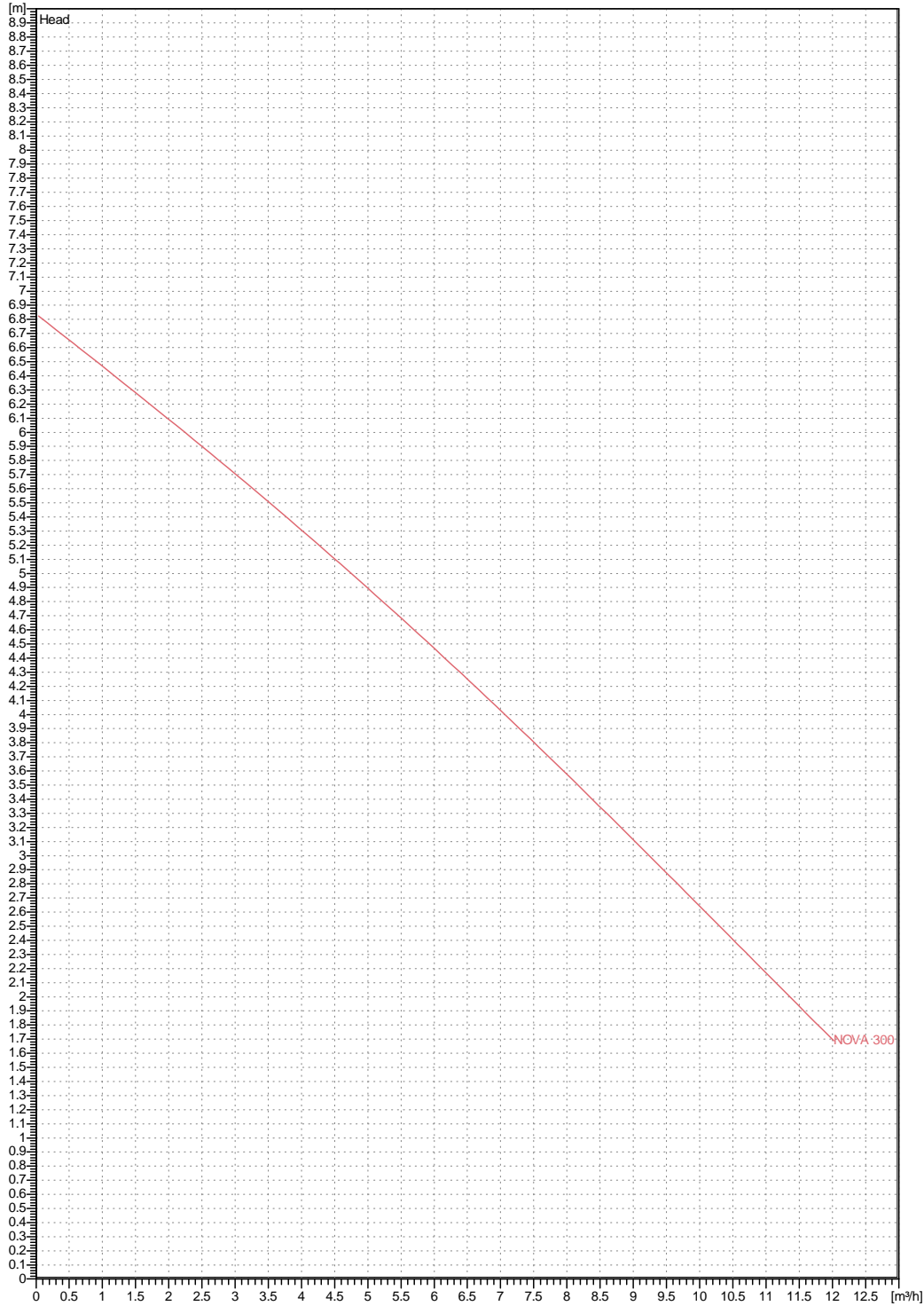
2011-08-17

Receiver

From

Societa  
Reference  
Address  
Telephone  
Fax  
E-mail

## NOVA 300 M-A



Hydraulic data (duty point)

Suction side /	Discharge side 1" 1/4"G-	Flow 0 m³/h	Flow 0 m	Speed 2850 1/min
Project	Project ID	Created by	Created on <b>2011-08-17</b>	



# DIMENSIONAL DRAWING

DAB PUMPS S. p. A.  
Via Marco Polo, 14 - 35035 Mestrino (PD) - Italy  
Ph. +39 049 9048811 - Fax +39 049 9048847  
Http://www.dabpumps.com

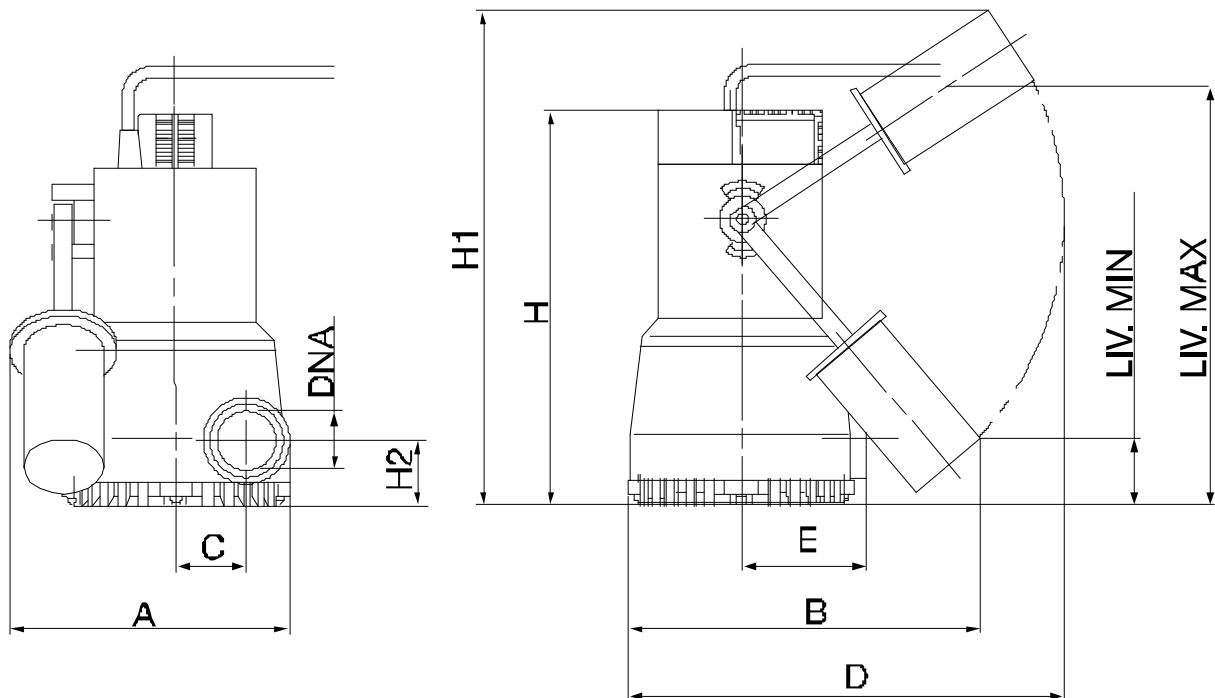
2011-08-17

Receiver

From

Societa  
Reference  
Address  
Telephone  
Fax  
E-mail

## NOVA 300 M-A



### Dimensions in mm

### Pump connection

	Dimensions in mm	Pump connection
1	A 181	Suction  Discharge 1 " 1/4 G --
2	B 235	
3	C 46	
4	D 296	
5	DNM 1"1/4 G	
6	E 82	
7	H 262	
8	H1 354	
9	H2 47	
10	LIV MAX 285	

Project	Project ID	Created by	Created on <b>2011-08-17</b>
---------	------------	------------	---------------------------------