

LipuJet-P-SB Basic type

Product information for the product group



ACO Product benefits

- Proven stability
 - Simple to fit thanks to plug-in system
 - Can be delivered to installation sites with difficult access because plant is in 3 pieces
 - Low weight
- With separate sludge trap
 - Odour-proof maintenance opening, diameter: 450 mm
 - System ACO Passavant
 - Building Supervisory Authority approval Z-54.1-461

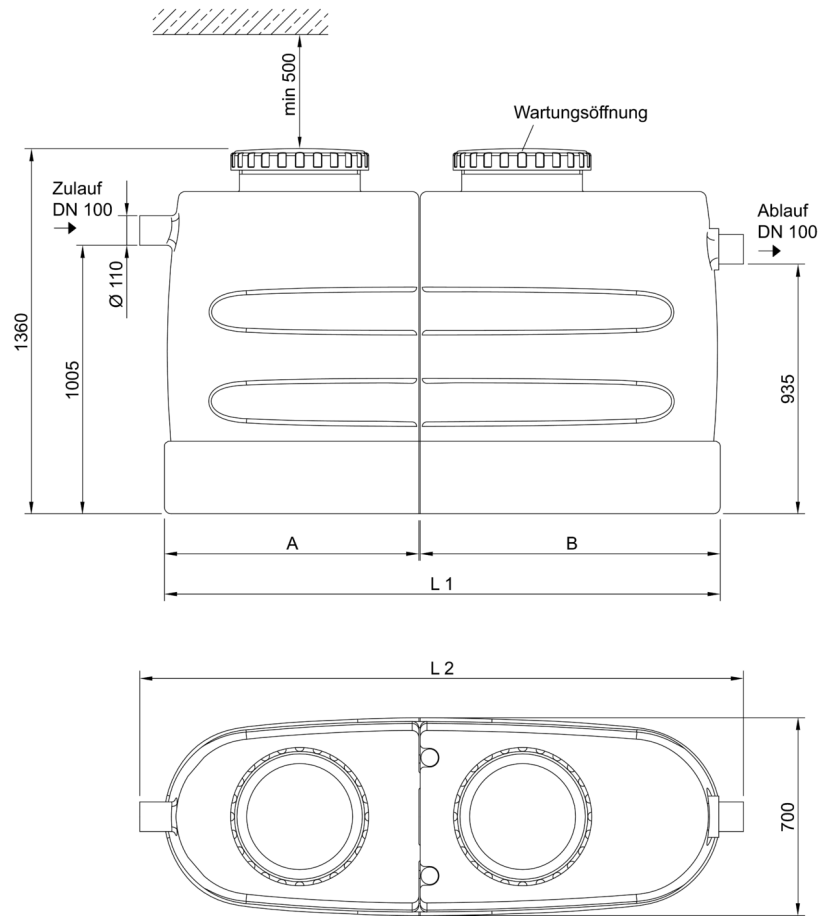
- Grease separator plant as per DIN EN 1825 and DIN 4040-100
- For indoors installation – frost free

Item Technical Data 3802.00.00

Nominal capacity	Nominal width	Contents			Weight	
		Sludge trap	Grease store	Overall	Empty	Full
		[l]	[l]	[l]	[kg]	[kg]
NS 2	DN 100	210	80	480	75	555

ACO eServices on the Internet:

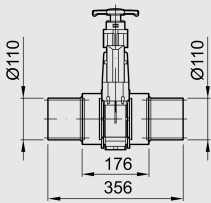
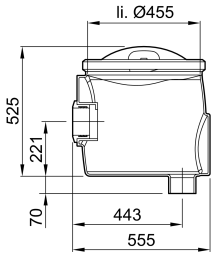
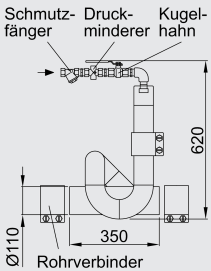
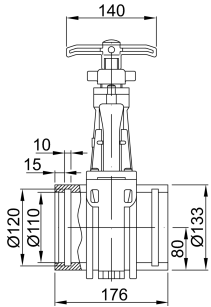
Dimensions



Nominal capacity	Dimensions			
	L1 [mm]	L2 [mm]	A [mm]	B [mm]
NS 2	1180	1360	510	660

Accessories

	Description	Used with	Description	Item number
	Sampling pot DN 100	<ul style="list-style-type: none"> ■ Grease separator LipuJet-P/LipuSmart-P <ul style="list-style-type: none"> □ NS 1 – 4 ■ Starch separator FapuJet-P-OAP <ul style="list-style-type: none"> □ NS 0.5 – 1 	<ul style="list-style-type: none"> ■ For installation of horizontal pipes DN 100 to grease separator ■ Round shape with <ul style="list-style-type: none"> □ Coupling socket seal (material SBR) on inlet and spigot on outflow □ Odour-proof maintenance opening DN 450 ■ Weight: 10.2 kg 	3300.09.11

	Description	Used with	Description	Item number
	Inlet valve DN 100		<ul style="list-style-type: none"> ■ Weight: 5.9 kg 	0175.31.87
	Sampling pot DN 100	<ul style="list-style-type: none"> ■ Grease separator LipuJet-P/LipuSmart-P <ul style="list-style-type: none"> □ NS 1 – 4 ■ Starch separator FapuJet-P-OAP <ul style="list-style-type: none"> □ NS 0.5 – 1 	<ul style="list-style-type: none"> ■ For installation in vertical pipes DN 100 going to grease separator ■ Round shape with <ul style="list-style-type: none"> □ Coupling socket seal (material SBR) on inlet and spigot on outflow □ Odour-proof maintenance opening DN 450 ■ Weight: 10.2 kg 	3300.10.11
	Filling device	<ul style="list-style-type: none"> ■ LipuJet-P-SB/SD 	<ul style="list-style-type: none"> ■ To be fitted upstream of the separator ■ Stainless steel, material grade 316 ■ Consisting of <ul style="list-style-type: none"> □ Pipe sockets DN 100 □ Length: 300 mm □ Filling device with foul air trap welded on and ball valve R ¼" ■ With pressure relief valve ■ 1 pipe connector DN 100 ■ Weight: 7 kg 	0153.06.76
	Inlet valve DN 100	<ul style="list-style-type: none"> ■ Wastewater lifting plant ■ Polyethylene grease separator ■ Polyethylene starch separator ■ Upstream tank plant <ul style="list-style-type: none"> □ Typ 2 and 4 ■ LipuMobil-P – Type 0.5 	<ul style="list-style-type: none"> ■ Made of PVC ■ 110 mm push socket on both sides with rim sealing ring ■ Overall dimensions: 176 x 330 mm (L x H) ■ Weight: 3.1 kg 	0175.13.84

You can find further accessories under → [/38020000](#)